

Hybrid Type Stepping Motor 25mm –square linear actuator

Stepping motors rotate at fixed angles with digitally controlled electronic pulses and they are able to start, stop and position with good control characteristics.

Hybrid-type stepping motors consist of a rotor with permanent magnets and magnetic bodies, and by using Minebea's high-precision ball bearings they can perform highly precise and reliable motions.

Our new linear stepping motor's high performance and compact design are accomplished through a lead screw that converts rotary to linear motion.

Even with the compact design, this linear stepping motor achieves high-resolution (4μ/step) and high force(7kgf).

Our linear stepping motor s are maintenance free and with highly -reliable mechanism that comes from motors for automotive applications.



Applications: medical equipments, inspection devices, and other factory automation equipments.

Lineup

Model	Motor Size (mm)	Step Angle (deg)	Drive Sequence	Rated Current (A)	Stroke (mm)	Thrust Force (N (kgf))	Resolution (μ/1step)	Mass (g)
C10PMK202BS01CN	□25 × 23.5	1.8	BI-POLAR	0.7	12.0	68.6 (7.0)	4.0	60

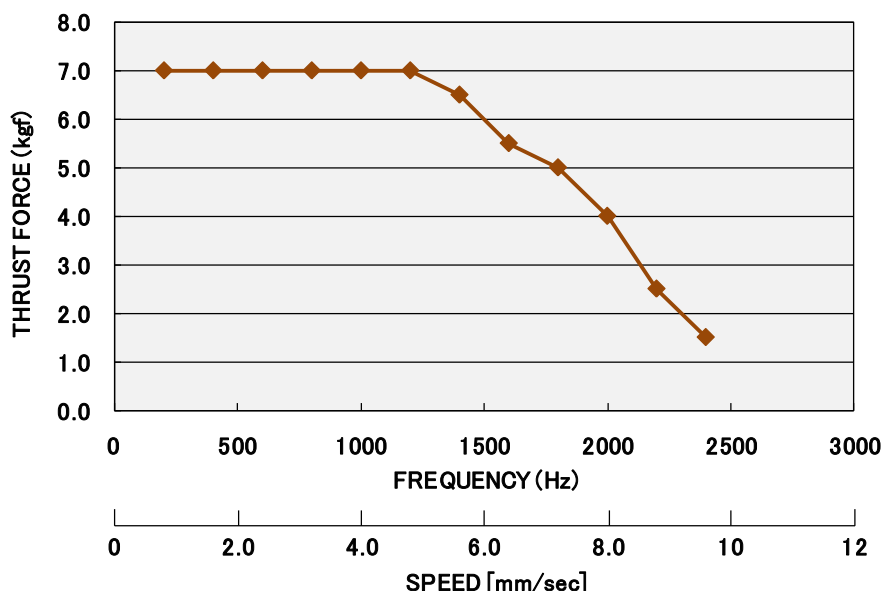
*The value of thrust force is with 0.6A/phase and 24Vdc at 800Hz.

*300mm lead wires will be supplied with motors.

RoHS Compliant

Force vs. Pulse Rate / Linear Velocity

Model No: C10PMK202BS01CN
 Driver: Chopper Dual
 Supply Voltage: 24.0(Volt)
 Drive Current : 0.6A [PHASE]



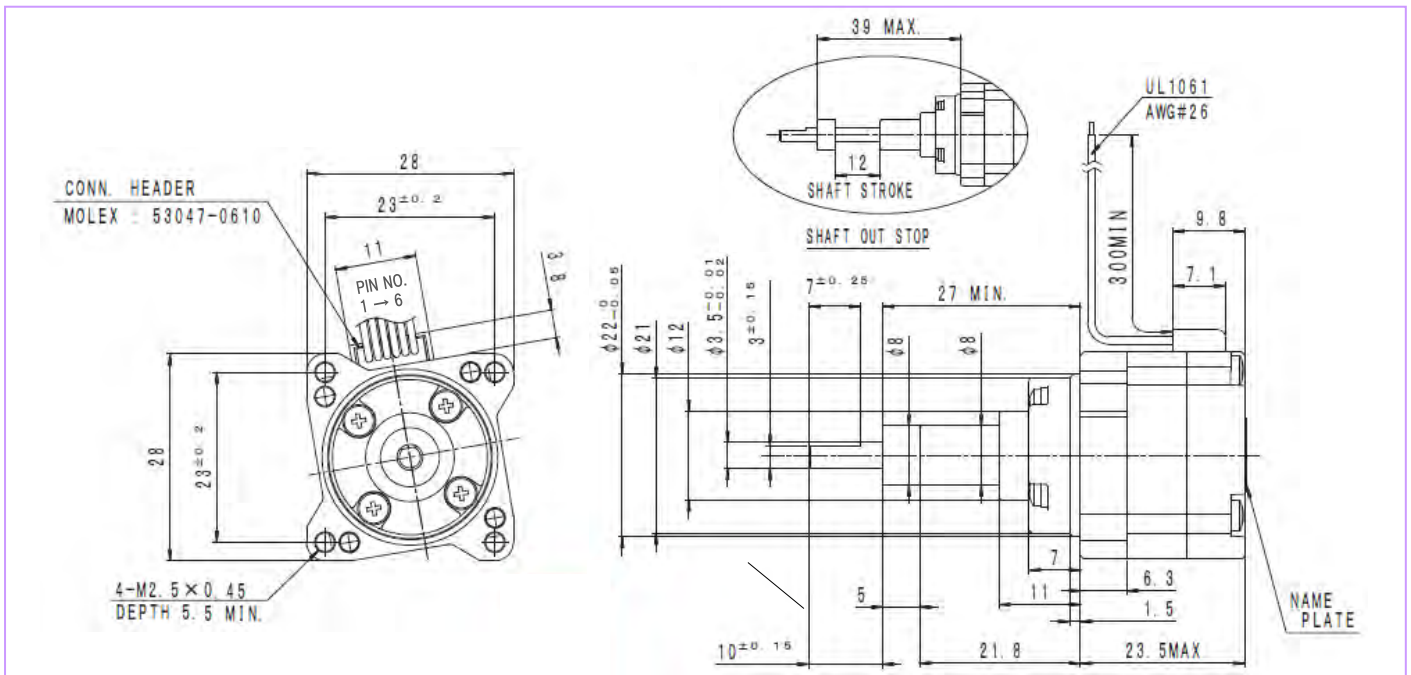
* Thrust force curve above is based on full-step constant current operation, and the date is for reference only and is not guaranteed.

General Specifications

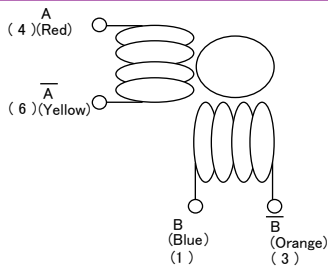
Step Accuracy	±5%
Temperature Rise	80°C MAX
Ambient Temperature Range	-10°C ~ +50°C
Insulation Resistance	100MΩ MIN. DC 500V
Dielectric Strength	AC 500V 1min

Specifications are subject to change without notice.

Outline



BI-POLAR Wiring Connection Diagram



L/W Color Step	RED	BLU	YEL	ORG
1	+	+	-	-
2	-	+	+	-
3	-	-	+	+
4	+	-	-	+

Sales Minebea Co., Ltd

[Japan]	Stepping Motor Product Management HQ	18F Arco Tower, 1-8-1 Shimo-Meguro, Meguro-ku, Tokyo 153-0064	TEL:+81-3-5434-8836 FAX:+81-3-5434-8830
	Tokyo Branch	18F Arco Tower, 1-8-1 Shimo-Meguro, Meguro-ku, Tokyo 153-0064	TEL:+81-3-5434-8701 FAX:+81-3-5434-8707
	Utsunomiya Office	+81-28-635-6681 / Atsugi Office +81-46-221-3091	
	West Kanto Branch	6F Hachioji Daiichi Tokio Marine Nichido Building, 1-6 Yokoyama-cho Hachioji, Tokyo 192-0081	TEL:+81-42-645-1801 FAX:+81-42-645-7661
	Hachioji Office	+81-42-645-1801 / Kumagaya Office +81-48-525-9931 / Matsumoto Office +81-263-36-5371 / Karuizawa Office +81-267-32-3606	
	Nagoya Branch	4F Nagoya Nishiki City Building, 1-6-5 Nishiki, Naka-ku, Nagoya, Aichi 460-0003	TEL:+81-52-231-1181 FAX:+81-52-231-1157
	Osaka Branch	11F WAKITA Sakaisujihonmachi Building, 1-7-7 Hon-machi, Chuo-ku, Osaka 541-0053	TEL:+81-6-6263-8331 FAX:+81-6-6263-7388
	Kyoto Office +81-75-353-1635 / Akashi Office +81-78-917-6200 / Kyushu Office +81-92-471-8121		
[overseas]	NMB-Minebea Thai Ltd, Bangkok Office	+66-2-253-4897	NMB Singapore Ltd. +65-6278-8522
	Minebea Trading (Shanghai) Ltd.	+86-21-5405-0707	Minebea (Shenzhen) Ltd. +86-755-8348-0788
	Minebea (Hong Kong) Ltd.	+852-2730-9913	Minebea Technologies Taiwan Co., Ltd. +886-2-2718-2363
	NMB Korea Co., Ltd.	+82-2-557-4467	Minebea Co., Ltd. Kuala Lumpur Branch (Malaysia) +60-3-5631-7849-52
	NMB-Minebea Thai Ltd. Manila Office (Philippines)	+63-2-856-1395	NMB-Minebea Thai Ltd. Chennai (India) +91-44-4299-4215
	Representative Office of NMB-Minebea Thai Ltd, in Hanoi (Vietnam)	+84-43-974-4582	NMB Technologies Corporation (USA) +1-818-341-3355
	NMB-Minebea-GmbH (Germany)	+49-6103-913-0	NMB Italia S.r.L. +39-02-939711
	NMB Minebea S.a.r.l (France)	+33-1-34083939	
	NMB-Minebea do Brasil Importação e Comércio de Componentes de Precisão Ltda	+55-11-2246-2770	

Manufacture Minebea Motor Manufacturing Corporation

Hamamatsu Plant	1743-1 Asana, Fukuroi, Shizuoka 437-1193	TEL:+81-538-23-7001 FAX:+81-538-23-7040
-----------------	--	---

Minebea

ミネベア株式会社
Minebea Co., Ltd.

<http://www.eminebea.com/>

Contact :