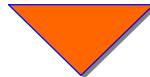


60DCF series

(Power supply with harmonic countermeasures installed)



High Voltage Blower (800W, 1200W)

High-pressure Blower (800W, 1200W)

《 Specifications • Characteristics 》

《 External view 》

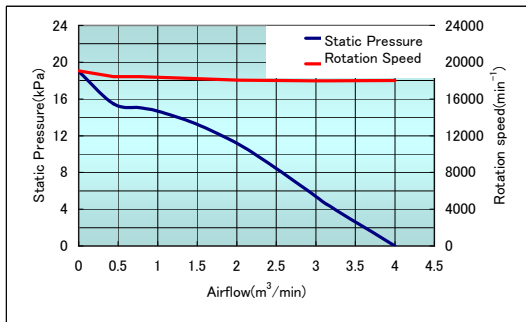


■ Performance

Type code	Rated Voltage [V AC]	Voltage Range [V AC]	Input [W]	Reference Values		Maximum Airflow [m ³ /min]	Maximum Static Pressure [kPa]	Weight [kg]
				Current [A AC]	Rotation speed [min ⁻¹]			
60DCF-475	240	180~264	1200	5	18500	4	19	Blower:2.6 Driver:2.8
60DCF-477	240	180~264	800	3.4	17000	5.5	9.5	Blower:2.6 Driver:2.8

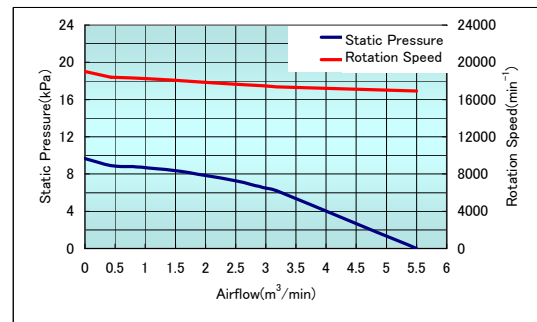
■ Motor Characteristic (Representative Characteristic)

Fig1 : 60DCF-475 (1200W type)



* Data is for reference and values are not guaranteed.

Fig2 : 60DCF-477 (800W type)



* Data is for reference and values are not guaranteed.

■ Standard Specifications

Operating temperature range: 0°C to +50°C to prevent condensation

Storage temperature range: -20°C to +65°C

Insulation type: Type B

Insulation resistance: 10 MΩ or more at 500 V DC, mega

Insulation strength: Blower Part 1500 V AC, 1min
Driver Part 500 V AC, 1min

Guaranteed operations Overcurrent protection

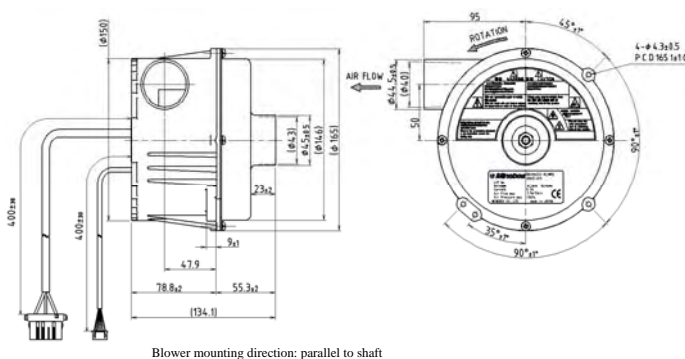
Locked rotor protection

Protection against abnormal rises in temperature

《 Characteristics 》

- Blower unit and Power supply control unit are separate.
Blower unit miniaturized.
By separation of components, more freedom in layout is allowed.
- A power supply with harmonic countermeasures is installed.
Complies with IEC61000_3_2.
- Error signal output in the event of abnormality.
Equipped with an automatic shut-off function to stop abnormal current flow.
- Complies with RoHS
Environmental-friendly design

■ Other (External view)



《 Usage 》

- Collation Machine
- Printing Machine
- Conveyer / Packaging Machine
- Suction Machine

